



Volkswagen

# The Tiguan Allspace







Model shown is Tiguan Allspace R-Line Tech with optional metallic paint.

# The Tiguan Allspace. Lots of room for adventure.

Whatever you plan to do, family holidays, sightseeing trips or days out, the Tiguan Allspace provides all the space you'll ever need. With its generous passenger compartment and third row seats\*, it has room for everyone and everything. The longer wheelbase not only creates more space and more flexibility, it also accentuates its dynamic shape. The higher bonnet, distinctive front grille, striking lights, longer rear doors and roof rails as standard create a sharp look, while off-road options, innovative technology and the latest assistance systems ensure it's equipped for every adventure.

\* Recommended for passengers up to maximum height of 1.60 m.





# Free space. As far as the eye can see.

Thanks to the Tiguan Allspace's ergonomic design, roomy interior and exceptional build quality, you cannot only see the space, but feel it too. There's as much luggage and legroom as you could wish for, and the flexible passenger compartment and third row seating\* gives you the freedom to spontaneously change plans, as you wish.



**01 – 02** The generous cabin space ensures plenty of rear legroom, ideal for those with longer legs or perfect for carrying larger items of luggage. The **second row** can be adjusted by up to 18cm or symmetrically divided and folded, providing exceptional flexibility. The folding centre armrest with two integrated cup holders offers additional comfort.

**03 – 04** As well as five seats as standard in the first and second rows, the third row seats\* provides space for two further passengers. The outer seats in the second row fold down and push forwards providing easy access, and the **third row seats** also partially or completely fold down, increasing the load volume of the boot correspondingly. Versatile, flexible and immensely practical, the Tiguan Allspace is a real all-rounder.

**05** The **thoughtfully designed dashboard and controls** are characterised by clarity, ease of use and attention to detail. Focus on the centre console which is angled towards the driver, allowing a perfect view of the instrument dials and infotainment system's screen.

\* Recommended for passengers up to maximum height of 1.60 m. Models shown feature optional 'Vienna' leather upholstery.





# R-Line Tech.

It's up to you to decide how dynamic you want your Tiguan Allspace R-Line Tech to be. The R-Line Tech model features lowered sports suspension meaning great cornering, distinctive R-Line styling includes 20 inch 'Suzuka' alloy wheels, uniquely shaped body-coloured front and rear bumpers, 'C' signature 'Gloss Black' front air intakes and body-coloured side skirts. Inside, the sporty refinement continues.



**01** Black rooflining, aluminium-look decorative inserts and a leather-trimmed multifunction steering wheel create a dynamic interior, while sports seats upholstered in 'Race' cloth with 'San Remo' microfibre, together with the characteristic 'R-Line' logo on the front seat backrests, add an elegant touch and provide maximum support.



Model shown is Tiguan Allspace R-Line Tech with optional metallic paint.



# Mobility. On road. Off-road. Online.

The Tiguan Allspace offers freedom in every sense of the word, thanks to the latest Car-Net online services and infotainment systems. A wealth of communication, entertainment and navigation options gives you total independence, wherever you are. Find the quickest route to the beach, the nearest restaurant or the perfect soundtrack for your trip, even without using your hands if you select the optional Discover Navigation Pro infotainment system or voice activation.



**01** The Discover Navigation touch-screen navigation/infotainment system with Car Net 'Guide and Inform' and 8.0 inch colour touch-screen display provides navigational functionality, dynamic navigation based on TMC+, branded points of interest, preloaded European navigation data, Speed Limit Display<sup>1</sup> and three routes (Fast, Short and Eco), 2D/3D map view and Volkswagen Media Control<sup>2</sup> which allows remote control of the infotainment system via smartphone or tablet. It comes with 3-years' Car Net 'Guide and Inform'<sup>3</sup>, providing online access to such information as traffic, fuel pricing, weather and news feeds; and includes online navigation software updates enabling you to download the latest map data. The infotainment system also includes a DAB digital radio receiver, single CD player, MDI (Multi Device Interface) via USB connection – compatible products only, music playback from MP3, WMA and AAC files, title and cover art display and SD card reader. Connection for Bluetooth telephone and audio compatible devices<sup>4</sup> are available, along with simultaneous pairing of two compatible mobile devices and SMS functionality – allowing you to read, compose and send SMS messages using the touch-screen display when the vehicle is stationary (compatible Android smartphones only). Standard on all models.

**02** Depending on which smartphone you have, you can connect Car-Net 'App-Connect'<sup>5</sup> via one of three interfaces: Apple 'CarPlay', Google 'Android Auto' or 'MirrorLink'<sup>TM</sup>, allowing your smartphone display to be 'mirrored' on the infotainment touch-screen via USB connection and giving access to your favourite smartphone functions, such as music, messages, phone and news. Volkswagen apps such as 'Think Blue. Trainer', 'Shared Audio', 'Drive & Track' or 'My Guide' can help to make your journey more pleasant and interesting by providing useful tips about handling your car, parking opportunities and even where to find the closest café. Volkswagen apps are only available with compatible smartphones. Please consult [www.volkswagen.co.uk](http://www.volkswagen.co.uk) to check smartphone compatibility. Usage of certified apps only while driving. Standard on all models. Image shown features optional Discover Navigation Pro touchscreen navigation/DVD infotainment system.



**03** The Discover Navigation Pro touch-screen navigation/DVD infotainment system with integrated voice activation, 'Gesture Control', Car-Net 'Guide and Inform Plus'<sup>3</sup> and Car-Net 'App-Connect'<sup>5</sup> can be operated intuitively via the 9.2 inch colour touch-screen, enabling you to manage music and navigation data. Also featured is gesture control for use with various different menus, responding to a sideways swiping gesture and confirming a successful swipe with a sound effect, which can be deactivated if required. Eight powerful speakers deliver great acoustics and the DVD system is compatible with MP3, WMA and AAC files. It also offers a 64 GB SSD hard drive, two SD card readers, photo display from JPEG and PNG files, voice control and USB connection. The Discover Navigation Pro also features 'Guide and Inform Plus' providing online access to a range of useful information such as traffic, fuel pricing, car parks, weather and news feeds. In addition, the Car-Net 'App-Connect' combines the functionality of Apple 'CarPlay', Google 'Android Auto' and 'MirrorLink'<sup>TM</sup> allowing 'mirroring' of a smartphone display on the infotainment touch-screen via USB connection. Display and operation of certified apps including audio and voice control (if supported by the app). Usage of certified apps only while driving. Only operable in conjunction with compatible smartphones including iPhone 5 and above. Display and operation of certified apps including audio and voice control (if supported by the app). Please see [www.volkswagen.co.uk](http://www.volkswagen.co.uk) to check smartphone compatibility. Optional on all models.



**04** Car-Net 'Security & Service'<sup>6</sup> acts as your personal assistant supporting you in every driving situation and providing you with all the key information you need regarding your mobility. An integrated SIM-card provides continuous connectivity and interaction between the driver, vehicle and Volkswagen's call centre or server. In the event of an accident, should the driver activate the 'eCall' button or the airbags are deployed triggering the 'eCall' service, Volkswagen's Emergency Centre will be contacted directly. Key information such as the condition and location of the vehicle will be sent to emergency response units. In the event of minor incidents, the 'Automatic accident notification' can send location and vehicle details to the Volkswagen Emergency Centre should the driver wish. Additional data is also shared including details of 'Car breakdown', 'Vehicle health report' and 'Service schedule' ensuring your vehicle's information is always up to date – 10-year subscription included.

The service also allows vehicle information to be accessed via the Car-Net Portal or Car-Net app, via a laptop or smartphone, from the comfort of your home or even the office. Information such as 'Driving data', the status of 'Doors and lights', 'Area alert', 'Speed alert', remote control of 'Horn and hazard lights', 'Parking position' and 'Online anti-theft alarm' can be easily accessed and monitored – 3-year subscription included. Optional on Match models, and standard on SEL and R-Line Tech models. Image shown features optional Discover Navigation Pro touchscreen navigation/DVD infotainment system.



<sup>1</sup> Speed Limit Display only reflects national speed limits and does not show temporary speed limit restrictions, or where permanent changes to speed limits are made in-between map updates.

<sup>2</sup> Only operable in conjunction with compatible tablets and smartphones including iPhone 5 and above. Please see [www.volkswagen.co.uk](http://www.volkswagen.co.uk) to check compatibility. Usage of certified apps only while driving. Please see [www.volkswagen.co.uk](http://www.volkswagen.co.uk) to check smartphone compatibility.

<sup>3</sup> Car-Net 'Guide and Inform' services are accessed via a compatible mobile device. Please see [www.volkswagen.co.uk](http://www.volkswagen.co.uk) for more information. The use of 'Guide and Inform' services entails exchanging large volumes of data. As such, we strongly recommend that you sign-up for a flat rate data plan with your mobile network provider. After the initial 3-year Car-Net contract, an annual subscription is chargeable for the continuation of 'Guide and Inform' services.

<sup>4</sup> Devices must be Bluetooth HFP (Hands Free Profile) compatible, please contact your authorised Volkswagen retailer for specific phone compatibility.

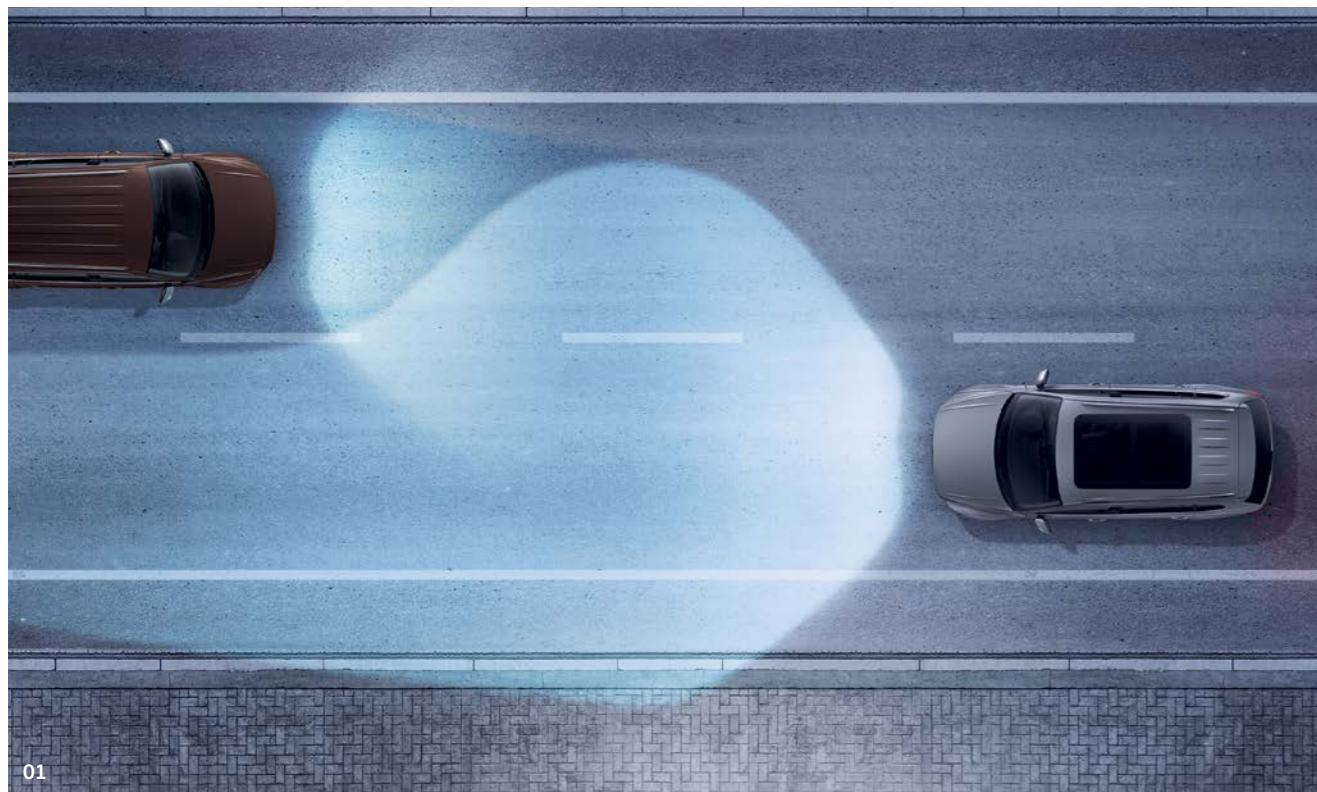
<sup>5</sup> Only operable in conjunction with compatible smartphones including iPhone 5 and above. Display and operation of certified apps including audio and voice control (if supported by the app). Usage of certified apps only while driving. Please see [www.volkswagen.co.uk](http://www.volkswagen.co.uk) to check smartphone compatibility.

<sup>6</sup> Use of Car-Net 'Security & Service' is governed in a separate Contract concluded online with Volkswagen. To use the free Car-Net app you will need a smartphone with iOS or Android operating system and a SIM-card with a data option. Depending on your mobile tariff, sending and receiving data online may incur additional charges (e.g. roaming charges), particularly if you are using Car-Net abroad. For more information on Car-Net Security & Service, go to [www.volkswagen.com/car-net](http://www.volkswagen.com/car-net) or contact your Volkswagen retailer.

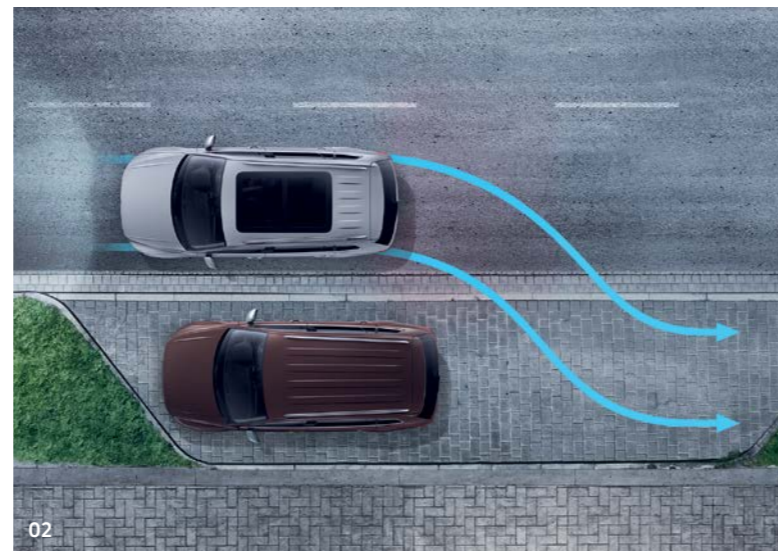


# Advanced driver's assistance systems.

Whatever your plans, the Tiguan Allspace's driver assistance systems are designed to make everyday life easier and support you in demanding traffic situations.



**01** Intelligent LED self-levelling headlights with separate LED daytime running lights and Dynamic Light Assist. The **Dynamic Light Assist** ensures greater visibility on the road by automatically controlling the main beam by partially masking the beam so it doesn't dazzle oncoming road users, but allows main beam to remain on. Standard on SEL and R-Line Tech and optional on Match models.

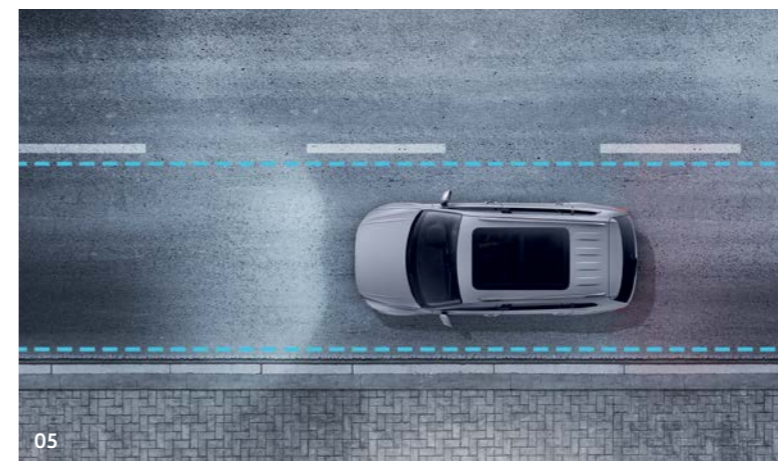


**02** The **Park Assist system with rear-view camera** not only makes parallel parking easier, but also helps you reverse park into a space at 90 degrees to the kerb. Using ultrasonic sensors, Park Assist will detect a parking space large enough for either bay or parallel parking. Once the vehicle is in reverse, all the driver has to do is operate the accelerator and brake, and keep a lookout, while the Tiguan Allspace steers itself into its chosen space. The **rear-view camera** displays the area behind your vehicle on the screen of the vehicle's infotainment system, helping you to manoeuvre into tight spaces quickly and easily. Auxiliary lines help you navigate safely into parking spaces, and thanks to the high resolution display, even small obstacles such as kerbs are visible. Standard on Match models. Optional on SEL models.

**03** **Area view** provides a 360-degree display of your Tiguan Allspace in the infotainment display, transmitting information via four cameras to the front, the sides and the rear, enabling you to view areas that are difficult to see from the driver's seat – very useful when there is limited space to manoeuvre. Also included with area view is **Park Assist** which helps you parallel and bay park using ultrasonic and audible parking sensors. All the driver has to do is operate the pedals whilst keeping a good look-out and Park Assist will do the rest. Standard on R-Line Tech models. Optional on all other models.



**04** **Side Scan** provides assistance if you want to change lanes from speeds of 37mph upwards. Sensors in the rear of the vehicle monitor the traffic and should they detect any road users in your blind spot or vehicles approaching quickly from behind, the system will alert you via a warning light within the door mirror housing and an audible warning within the vehicle. The parking assistant monitors the area behind and next to your vehicle, alerting you if it detects a vehicle or object, and automatically instigating an emergency stop if a collision is imminent. Not in conjunction with Emergency Assist. Optional on all models.



**05** **Lane Assist** is a camera controlled warning system that warns you if your vehicle drifts out of its lane helping to reduce the chance of an accident and helping to make long motorway journeys safer. Using a camera located in the rear-view mirror unit, it monitors the road markings and prevents unintentional lane deviations. The system only intervenes if the indicators are not used, so if you decide to change lanes and indicate, the intelligent system recognises this and switches off. Standard on all models.

Images shown are for illustration purposes only and may not necessarily reflect UK specification.

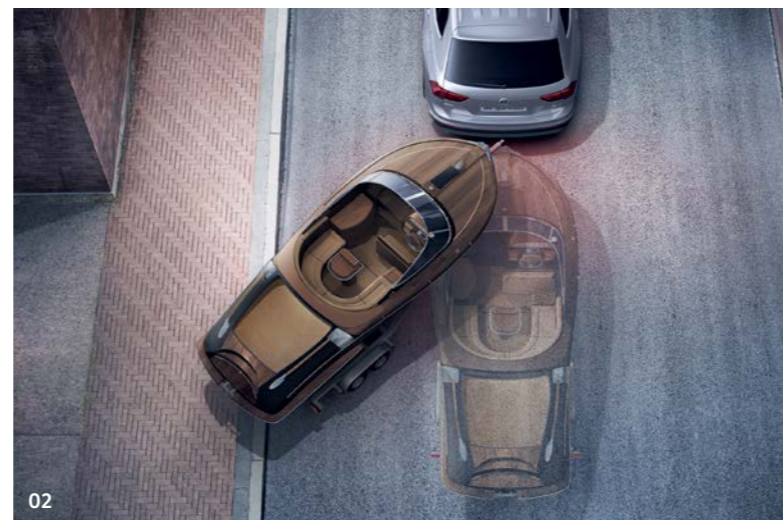


# Comfort and convenience.

With its generous boot, the Tiguan Allspace provides a wide range of flexible solutions, preparing you for every adventure. The boot floor, for example, can be adjusted to two heights, depending on the amount of luggage you wish to carry.



01 Thanks to keyless entry with **electrically-operated tailgate opening operation**, providing you have the key on you, it simply takes a flick of the foot under the rear of the vehicle to open the electric tailgate. Standard on SEL and R-Line Tech models.



02 **Trailer Assist including Park Assist and rear-view camera** helps you reverse more easily and accurately with a trailer or caravan hitched. The optical display visualises actual and possible steering angles in the instrument cluster. Reverse steering is automatic, with direction controlled via the mirror adjustment switch which acts as a joystick, while the driver controls the pedals and keeps a good look out. Optional on Match and SEL models. Only in conjunction with the optional swivelling towbar.



03



04



05

03 - 05 Travelling with lots of luggage? No problem for the Tiguan Allspace. In this seven-seater, there's a 230 litre boot behind the third row. Fold the third row seats flat and the boot space increases to 700 litres, fold the second row flat and you have **1,775 litres of boot space**.



## Alloy wheels.



01

M  SEL

01 'Victoria' 7J x 19 alloy wheels with 235/50 R19 mobility self-sealing tyres and anti-theft wheel bolts.

02 'Suzuka' 8½J x 20 alloy wheels with 255/40 R20 mobility self-sealing tyres and anti-theft wheel bolts.

03 'Kingston' 7J x 18 alloy wheels with 235/55 R18 mobility self-sealing tyres and anti-theft wheel bolts.

05 'Miramar' grey metallic<sup>1</sup> 8J x 20 alloy wheels with 235/45 R20 mobility self-sealing tyres and anti-theft wheel bolts.

Standard  Optional

M | Match SEL | SEL RL | R-Line Tech

Please note, choosing optional alloy wheels does not affect CO<sub>2</sub> emissions on Tiguan Allspace models. Choosing larger alloy wheels than standard, as an option, may result in increased fuel consumption. This is due to the fact that larger wheels have both more aerodynamic drag and more mechanical drag, resulting in increased rolling resistance and increased wind resistance. Models shown feature optional metallic paint.

1 Must be ordered in conjunction with Dynamic Chassis Control (DCC) or sports suspension.  
2 No cost option.



02

RL



03

M<sup>2</sup>



05

M  SEL



Model shown is Tiguan Allspace R-Line Tech with optional metallic paint.



# Paint.



01

M  SEL  RL



02

M  SEL



03

M  SEL  RL



04

M  SEL



05

M  SEL



06

M  SEL  RL



07

M  SEL

- 01 Pure White Non-Metallic 0Q
- 02 Blue Silk Metallic 2B
- 03 Platinum Grey Metallic 2R
- 04 Ruby Red Metallic 7H
- 05 Dark Moss Green Metallic X1
- 06 Deep Black Pearl Effect 2T
- 07 Habanero Orange Premium Signature V9

Standard  Optional  
M | Match SEL | SEL RL | R-Line Tech

Please note: Colour range is reproduced for illustration purposes only. Actual on-car colours may vary from those shown, as screen processes do not allow exact reproduction of the paint colours. Models shown are Tiguan Allspace SEL with optional Park Assist.

# Upholstery.



01

M



02

M



03

SEL



04

RL



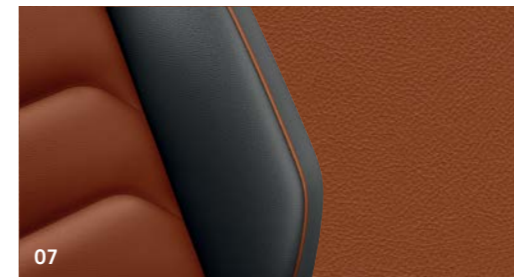
05

M  SEL



06

M  SEL



07

M  SEL



08

RL

### Standard on Match models

- 01 'Lasano' cloth – Titan Black BG
- 02 'Lasano' cloth – Storm Grey FY

### Standard on SEL models

- 03 'Lounge' cloth with Art Velours microfleece – Titan Black BG

### Standard on R-Line Tech models

- 04 'Race' cloth with 'San Remo' microfibre – Dark Magnetic Grey OV

Standard  Optional  
M | Match SEL | SEL RL | R-Line Tech

### Optional on Match and SEL models

- 05 'Vienna' leather\* – Titan Black BG
- 06 'Vienna' leather\* – Storm Grey FY
- 07 'Vienna' leather\* – Saffrano Orange NY

### Optional on R-Line Tech models

- 08 'Vienna' leather\* – Black/Crystal Grey IH

\* Some parts of leather interior will contain artificial leather. Please note: Swatches reproduced for illustration purposes only. Actual upholstery colours may vary from those shown, as screen processes do not allow exact reproduction of the upholstery colours.



# Combinations.

	Carpet	Dashboard	Pure White Non-Metallic 0Q	Blue Silk Metallic* 2B	Platinum Grey Metallic* 2R	Ruby Red Metallic* 7H	Dark Moss Green Metallic* X1	Deep Black Pearl Effect* 2T	Habanero Orange Premium Signature* V9
<b>'Lasano' cloth</b>									
<b>Standard on Match models</b>									
Titan Black BG	Titan Black	Titan Black/Titan Black	●	●	●	●	●	●	●
Storm Grey FY	Titan Black	Titan Black/Cornsilk Beige	●	●	●	●	●	●	●
<b>'Lounge' cloth with Art Velours microfleece</b>									
<b>Standard on SEL models</b>									
Titan Black BG	Titan Black	Titan Black/Titan Black	●	●	●	●	●	●	●
<b>'Race' cloth with 'San Remo' microfibre</b>									
<b>Standard on R-Line Tech models</b>									
Dark Magnetic Grey OV	Titan Black	Titan Black/Titan Black	●	-	●	-	-	●	-
<b>'Vienna' leather**</b>									
<b>Optional on Match and SEL models</b>									
Titan Black BG	Titan Black	Titan Black/Titan Black	○	○	○	○	○	○	○
Storm Grey FY	Titan Black	Titan Black/Cornsilk Beige	○	○	○	○	○	○	○
Saffrano Orange NY	Titan Black	Titan Black/Titan Black	○	-	○	-	○	○	-
<b>'Vienna' leather**</b>									
<b>Optional on R-Line Tech models</b>									
Black/Crystal Grey IH	Titan Black	Titan Black/Titan Black	○	-	○	-	-	○	-

\* Metallic, pearl effect and premium signature paints, and leather upholstery are optional at extra cost.  
 † Some parts of leather interior will contain artificial leather.  
 ● Standard ○ Optional at extra cost - Not available.



Interior shown features optional Storm Grey 'Vienna' leather upholstery.



# Dimensions.

## Exterior dimensions

Length – min., mm	4701
Width – inc. door mirrors, mm	2099
Height – max., mm	1674
Height – opened tailgate/floor, mm	2097
Wheelbase, mm	2787
Turning circle, m	11.9

## Interior dimensions

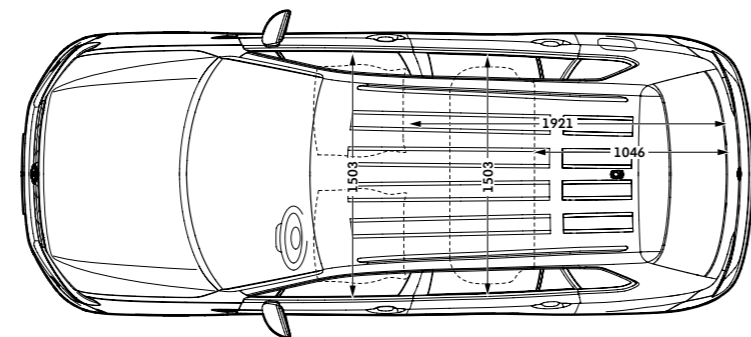
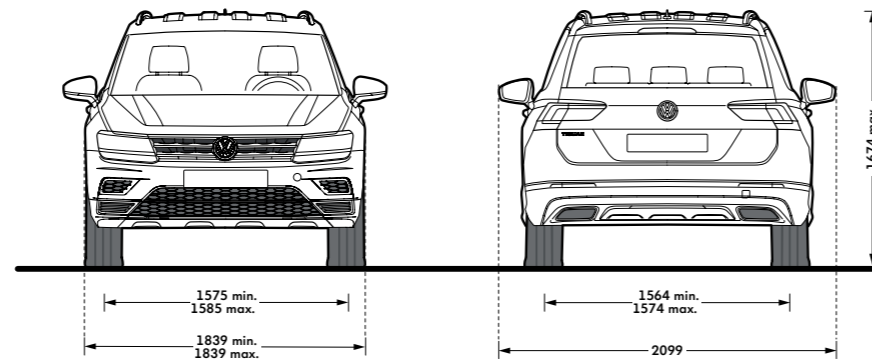
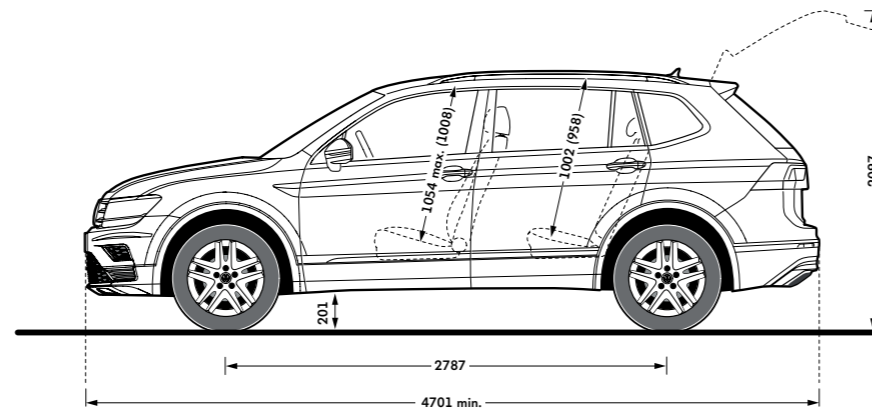
Effective headroom – front max., mm (with sunroof)	1054 (1008)
Effective headroom – rear, mm (with sunroof)	1002 (958)
Interior width – front, mm	1503
Interior width – 2nd row rear, mm	1503

## Maximum luggage capacity, litres VDA measuring method using 200 x 100 x 50mm blocks

With 2nd and 3rd row rear seats upright	230
With 3rd row rear seats folded	700
With 2nd and 3rd row rear seats folded	1775

Figures shown are for standard specification 2 wheel drive models. The addition of certain factory-fitted options and/or accessories may affect some of the dimensions shown.

Tiguan Allspace



# AdBlue®

Your Volkswagen car is fitted with an advanced emissions control system, which helps your vehicle meet EURO 6 exhaust gas regulations.

## How does the system work?

AdBlue®, a water/urea based additive, is stored in a tank (like diesel fuel), however, unlike fuel it is not injected into the engine, but directly into a specially modified part of the vehicle's exhaust. This begins a chemical reaction which removes the polluting oxides of nitrogen (NOx), converting them into harmless oxygen and nitrogen in a process known as Selective Catalytic Reduction, or SCR for short. SCR is only applicable to diesel engines and the more economically you drive, typically, the less AdBlue® you will use.

The size of the AdBlue® tank fitted to your car will vary depending on which Volkswagen model you have, therefore the interval between top-ups will vary. In addition, many factors such as mileage, journey type, driving style and environmental conditions can influence how much AdBlue® is consumed. A passenger car can consume approximately 1.5 litres of AdBlue® every 620 miles (1.0–1.5 litres for the Passat and Passat Estate). The chart below details the AdBlue® tank size and location.

Model (SCR derivatives only)	Tank size (Approximately)	AdBlue® tank filler location	Initial warning of low AdBlue® (2,400km/1,500 miles to go) can be expected to occur at:
Tiguan Allspace	13 litres	Next to fuel filler nozzle	3,000 to 4,000 miles or sooner*

\* Distances are approximate and the warning light may come on sooner depending on driving style, journey type, engine and vehicle load and environmental conditions.

## How will I know if the system needs topping-up?

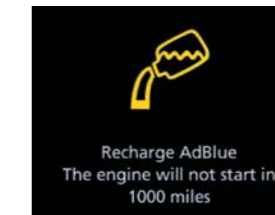
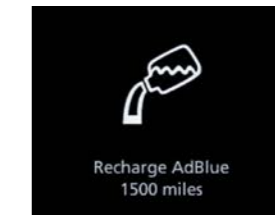
A series of warnings will be given via the driver information system, accompanied by advice/messages.

The first message is displayed when the remaining range is approximately 1,500 miles, and is repeated every 62 miles until the range reaches 1,000 miles, at which point the warning turns amber. This warning is repeated every 31 miles and is accompanied by an audible tone. If these warnings are not acted upon, the warning turns red; once this happens the car will not restart once the ignition is turned off. This is not a fault, but a required feature of the system. If this stage is reached the system will need a full top-up before the car can be restarted. Further information is available in the vehicle handbook.

## Why should I use a Volkswagen Authorised repairer for top-ups?

- AdBlue® top-ups at authorised repairers are extremely competitive and charged by the litre, so you only pay for what you need
- Authorised repairer staff are trained to handle AdBlue®
- AdBlue® tanks need special adaptors on fillers to ensure there are no spillages
- Volkswagen do not recommend keeping top-up bottles in cars

The top-up bottles supplied by Volkswagen have a capacity of 1.89 litres, and come complete with the adaptor nozzles that fit the Volkswagen AdBlue® tank. These are available from all Volkswagen Authorised repairers.



AdBlue® warning lights.

## Important information

- AdBlue® is not a fuel additive. This is why there is a separate AdBlue® tank
- If you put AdBlue® in your fuel tank by mistake, please do not start the engine, but contact a retailer for help
- Put only AdBlue® in the AdBlue® tank; do not fill the AdBlue® tank with any other liquids
- Prevent anything from contaminating AdBlue®
- If small quantities of AdBlue® come into contact with the vehicle's paintwork, for example, wipe them off and if necessary rinse the area with water



# Volkswagen service.

**Exclusions and terms and conditions apply to all warranties and plans listed. For pricing and further details of Volkswagen Warranties and Service Plans, please consult your authorised Volkswagen retailer or repairer, or visit [www.volkswagen.co.uk](http://www.volkswagen.co.uk)**

## The Volkswagen Warranty.

### Three-year Warranty.

All Volkswagen passenger cars come with a three-year/60,000 miles warranty, which protects your car against the failure of most technical and electrical components due to manufacturing defects. This comprises a two-year manufacturer's warranty with unlimited mileage plus a further one-year/60,000 miles (whichever is soonest) Retailer Warranty<sup>1</sup>. Should the mileage exceed 60,000 miles within the first two years, the manufacturer's two-year warranty will still be valid. Full details of the three-year warranty are available from your authorised Volkswagen retailer or repairer.

## Body Protection Warranty.

The internal body sections and panels of the Tiguan Allspace are covered against rusting through from the inside for 12 years. Naturally, the vehicle must be cared for in compliance with the manufacturer's operating instructions. Please consult your authorised Volkswagen retailer or repairer for full warranty details.

## Three-year Paintwork Warranty.

This latest paintwork warranty, pioneered by Volkswagen, provides you with cover on a new car. Naturally, during the warranty period the car must be cared for in compliance with the manufacturer's operating instructions. Any paintwork defects, as a result of the manufacturing process, will be rectified without charge.

## Approved Accessories.

A comprehensive range of accessories from alloy wheels to carpet mats is available to complement the factory-fitted option list. Volkswagen approved accessories purchased from and fitted by your authorised Volkswagen retailer at the point of vehicle sale will also benefit from the three-year vehicle warranty.

## Service Intervals.

Volkswagen is pleased to offer you a choice on how your Volkswagen is serviced. The appropriate selection is entirely dependent on how the car is likely to be driven and its general use. To help you identify which type of service would be most suitable, please refer to the following guide.

The Fixed Service is recommended for vehicles that will cover less than 10,000 miles in 12 months and if the vehicle is likely to be used in the following way:

- Predominantly urban driving, short journeys with frequent cold starts.
- Activities regularly producing high engine loading, e.g. frequent hill climbs, driving with vehicle fully loaded and towing.
- Uneconomical driving style using high rpms with heavy acceleration and heavy braking.

The service intervals for the Fixed Service are as follows:

- Oil change service – After 1 year or 10,000 miles (15,000km), whichever is soonest.
- Inspection service<sup>2</sup> – First after 2 years or 20,000 miles (30,000km), then every one year or 20,000 miles (30,000km), whichever is soonest.

The Flexible Service is recommended for vehicles with daily mileage of more than 25 miles where the vehicle is driven regularly mainly on longer distance journeys. The vehicle is driven mainly at a constant speed with minimum vehicle and engine loading, minimal towing and driven in an economical manner. With the Flexible Service the vehicle can cover anywhere between 10,000<sup>3</sup> and a maximum of 20,000<sup>3</sup> miles or 24 months (whichever is soonest) between oil changes.

The service intervals for the Flexible Service are as follows:

- Oil change service – According to flexible service interval display (after 2 years at the latest).
- Inspection service<sup>2</sup> – First after 2 years or 20,000 miles (30,000km), then every one year or 20,000 miles (30,000km), whichever is soonest.

The up! model is only available with the Fixed Service schedule. Please consult your authorised Volkswagen retailer or repairer for advice and full details.

Please note: If you purchase a Volkswagen Fixed Price Service Plan your vehicle will follow the Fixed Service schedule.

## Volkswagen Insurance<sup>4</sup>.

We want you to start enjoying your new car from day one, and thanks to our 5 day complimentary Volkswagen Drive Away Insurance you can. Call 0345 300 6119 (lines are open Monday to Friday 8am-8pm and Saturday 9am-5pm). If eligible, we will also give you a quotation for our annual insurance, designed specifically for Volkswagen drivers.

<sup>1</sup> All warranty work must be completed by an authorised Volkswagen retailer or repairer.

<sup>2</sup> The inspection service first at 3 years (or 40,000 miles) and then every second year (or 40,000 miles) has additional workscope.

<sup>3</sup> The quoted mileage is based on a conversion from kilometres and is therefore unlikely to exceed circa 18,000 miles between oil changes.

<sup>4</sup> Volkswagen Car Insurance is underwritten by U K Insurance Limited. Registered Office: The Wharf, Neville Street, Leeds LS1 4AZ. Registered in England and Wales number: 1179980. U K Insurance Limited is authorised by the Prudential Regulation Authority and regulated by the Financial Conduct Authority (FCA) and the Prudential Regulation Authority. Calls may be recorded. Volkswagen Financial Services is a trading name of Volkswagen Financial Services (UK) Limited ('VWFS UK'), registered in England and Wales number: 2835230 (Registered Office: Brunswick Court, Yeomans Drive, Blakelands, Milton Keynes MK14 5LR). Volkswagen Insurance Service (Great Britain) Ltd. is an appointed representative of VWFS UK. VWFS UK is authorised and regulated by the FCA, registration number: 311988. Authorisation details for both organisations can be checked on the Financial Services Register by visiting [www.fca.org.uk](http://www.fca.org.uk). VWFS UK and U K Insurance Limited are not part of the same corporate group.

## Volkswagen Ensurance<sup>5</sup>.

Get three years' Volkswagen Ensurance cover for free.

Another great benefit of being a Volkswagen driver. If your Volkswagen was damaged in an accident, wouldn't you want it fixed by a Volkswagen trained technician using only genuine Volkswagen parts? Ensurance is Volkswagen's accident and repair cover which does exactly that. It works alongside your main comprehensive motor insurance policy no matter who you are insured with, to make sure you get the quality repair and service you would want. If you're involved in an accident or your car is stolen, just one call to us and we'll look after your claim from start to finish ensuring your Volkswagen is restored to the highest standard.

Activate your cover and benefit from:

- A guarantee that your Volkswagen will be repaired in a Volkswagen approved repairer and Volkswagen trained technicians, using only genuine Volkswagen parts and paints.
- A dedicated Claims Manager who will manage your claim from start to finish, liaising with your insurer and the repairer so you don't have to.
- Help to recover any uninsured losses using our Legal Expenses Cover.
- Online claims tracking so you can keep up to date with the status of any claim.

Volkswagen Ensurance is free to all Volkswagen customers for three years and it only takes a minute to get cover. To find out more and to activate your cover, visit [www.volkswagen-ensurance.co.uk](http://www.volkswagen-ensurance.co.uk)

## Volkswagen Finance<sup>6</sup>.

Volkswagen Finance specialises in providing funding solutions for Volkswagen drivers. Whether your Volkswagen is for private or business use, you can choose from a range of funding options.

- Solutions – a Personal Contract Plan
- Hire purchase
- Lease purchase
- Finance lease
- Contract hire

With all Volkswagen Finance products you can choose a fixed-cost maintenance plan to help you budget for your servicing and maintenance costs. No matter what finance product you choose, your local Volkswagen retailer will be able to provide you with a personalised quote that could meet your budget and vehicle needs.

## Tax Free Sales.

For full details, please contact your authorised Volkswagen retailer.

## Volkswagen Roadside Assistance.

Every new car is registered for Volkswagen Roadside Assistance for one year except the Touareg which is registered for three years. This provides vehicle roadside and home recovery in the unlikely event of a breakdown in the UK and Europe (subject to conditions). Volkswagen Roadside Assistance can also be purchased for subsequent years.

**Exclusions and terms and conditions apply. For pricing and further details of Volkswagen Roadside Assistance, please consult your authorised Volkswagen retailer, or visit [www.volkswagen.co.uk](http://www.volkswagen.co.uk)**

## Fuel consumption and CO<sub>2</sub> Emissions.

Fuel consumption and CO<sub>2</sub> figures are obtained under standardised EU test conditions (Directive 93/116/EEC). This allows a direct comparison between different manufacturer models but may not represent the actual fuel consumption achieved in 'real world' driving conditions. More information is available on the Volkswagen website at [www.volkswagen.co.uk](http://www.volkswagen.co.uk) and at [www.dft.gov.uk/vca](http://www.dft.gov.uk/vca). The weight of a vehicle will influence the level of CO<sub>2</sub> emissions it produces; as a result, vehicles with higher levels of specification and factory-fitted options may emit higher levels of CO<sub>2</sub>. Choosing larger alloy wheels than those fitted as standard may result in increased fuel consumption as well as higher CO<sub>2</sub> emissions and subsequently an increased Vehicle Excise Duty (VED) band. BIK rates paid by company car drivers may also increase. In some instances, the recommended 'On the road' retail price paid for a vehicle may increase as a result of the increased VED rate. CO<sub>2</sub> is the main greenhouse gas responsible for global warming. The specifications contained in this brochure are for information purposes only and are subject to change.

## AdBlue<sup>®</sup>.

Diesel engines with SCR (Selective Catalytic Reduction) technology require AdBlue<sup>®</sup> which must be kept topped up. Please see page 19 or visit [www.volkswagen.co.uk/technology/adblue](http://www.volkswagen.co.uk/technology/adblue) for more details.

## Please note:

Some illustrations in this brochure do not necessarily reflect UK specifications and may not be available.

In particular, controls and some items of equipment are positioned differently for the UK.

The specifications contained in this brochure are for information purposes only and are subject to change.

If you require any specific feature, you must consult your authorised Volkswagen retailer who is regularly updated with any change in specification. Please check model availability and full specification details with your authorised Volkswagen retailer prior to ordering.

Note: we would like to advise you that telephone calls to Volkswagen Customer Care may be monitored and recorded as part of our training and quality assurance processes. All our monitoring and recording processes meet Ofcom regulations.

<sup>5</sup> Ensurance from Volkswagen Financial Services is sold and administered by Lawshield UK Limited, registered in England number: 3360532. Registered office: Lawshield House, 850 Ibis Court, Lakeside Drive, Centre Park, Warrington, Cheshire, WA1 1RL and underwritten by UK General Insurance Limited on behalf of Great Lakes Insurance SE. Great Lakes Insurance SE is a German insurance company with its headquarters at Königinstrasse 107, 80802 Munich. UK Branch office: Plantation Place, 30 Fenchurch Street, London, EC3M 3AJ. Lawshield UK Limited is authorised and regulated by the Financial Conduct Authority (FCA). Authorisation details can be checked on the FCA's register at [www.fca.org.uk](http://www.fca.org.uk). Great Lakes Insurance SE, UK Branch, is authorised by Bundesanstalt für Finanzdienstleistungsaufsicht and subject to limited regulation by the Financial Conduct Authority and Prudential Regulation Authority. Details about the extent of their regulation by the Financial Conduct Authority and Prudential Regulation Authority are available on request.

<sup>6</sup> Finance is available to 18s and over, subject to status. Terms and conditions apply. Volkswagen Finance.



# The Tiguan Allspace

Volkswagen Information Service. Telephone: 0800 333 666

Internet: [www.volkswagen.co.uk](http://www.volkswagen.co.uk)

© Volkswagen Group United Kingdom Limited 2019.

Issue: 1 March 2019.



[facebook.com/VolkswagenUK](https://facebook.com/VolkswagenUK)



[@UKVolkswagen](https://twitter.com/@UKVolkswagen)



[youtube.com/user/ukvolkswagen](https://youtube.com/user/ukvolkswagen)



[volkswagen\\_uk](https://volkswagen_uk)